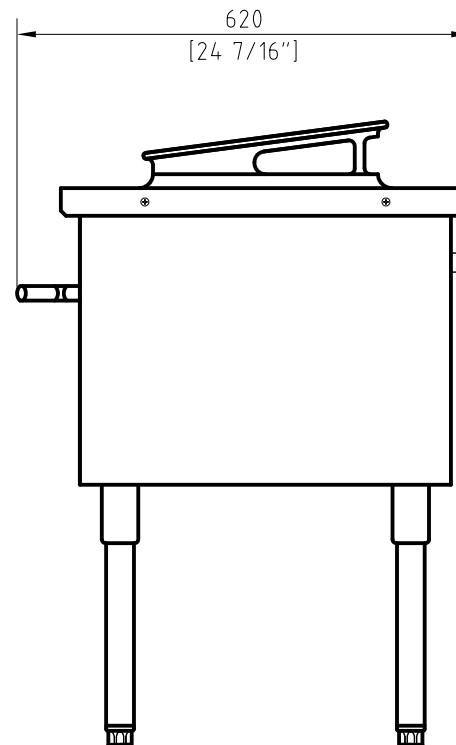
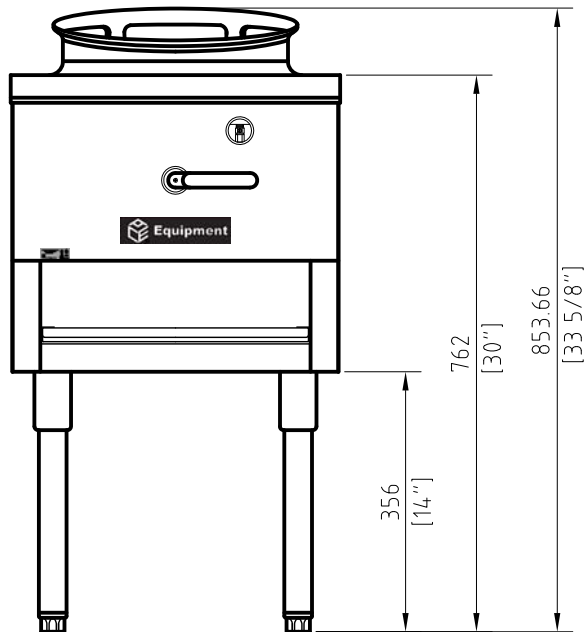


AEWR-23J30

18"Wx21"Dx30"H
23 Tips Jet Burner, Stock Pot Stove



Atlanta Culinary Equipment, Inc.

www.ATLequipment.com

2063 Mountain Industrial Blvd., Tucker, GA 30084, USA

